

# OUTDOOROD150-43SA

3000nits single-sided wall-mounted outdoor high-brightness LCD digital signage



## Outdoor Waterproof

The IP56 rating provide full protection against dust and water projection. Built in intelligent heating and cooling, together with a smart automatic air circulation system.



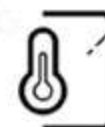
## Sunlight Readable Image

Adjusts the brightness of the monitor automatically according to the surrounding lighting conditions. This feature considerably reduces power consumption and increases the monitor's lifetime.



## Vandal-Resistant Glass

Protection class IK10 vandal-resistant glass for maximum protection of the display from extreme environmental conditions and external shocks



## Intelligent Thermal Management

According to the surrounding environment temperature to adjust the internal temperature, to ensure that the equipment in the appropriate temperature range, to extend the service life of the equipment.

## FOR MORE INFORMATION

For more information about CNLC, visit our website at [www.cnlcdisplay.com](http://www.cnlcdisplay.com). Copyright © cnlcdisplay All rights reserved. All specifications and descriptions are subject to change without notice. Reproduction without permission is prohibited.



# Product Parameters



## MODEL

LCD Panel Brand and Model	43"LG
LCD Panel Withstand Temperature Level	-30° +110°
Brightness (w/o glass)	3000nits
Resolution	1920*1080
Contrast Ratio	1200/1
Life span (Typ.)	50,000 hours
Viewing Angle	178°/178°
Response Time (Typ.)	8ms
No Blackening Defects	Up To 110° (230°F)
Polarized Sunglasses Support	Yes

## DISPLAY

Ambient Light Sensor	Yes
Temperature Control	Yes
Lightning And Leakage Protection	Yes
Heat Dissipation	Air circulation system

## FUNCTIONAL CHARACTERISTICS

Border Width	100mm
Overall Size	730*1190*150
Housing Material	Aluminum Alloy
Painting Color	Black/Gray/Silver/Customize
Thickness of Tempered Glass	6mm
Tempered Glass Transmittance	84%

## MECHANICAL SPECIFICATIONS

Electricity Supply	Internal
Rated Voltage	200V-240V ~ 50/60Hz
Power Consumption	280W
Power Adapter and Brand	MeanWell power adapter / Chint leakage

## POWER

## ENVIRONMENT

Operating Temperature	-20°+60°
IP Rating	IP56
Life Span/Running Time	7/ 24 hours

## OPTIONAL

Touch Panel	nanotouch
Input interface	HDMI/USB
Simultaneous Touch	Ten Point
Outdoor Indoor And Waterproof Touch Support	Touch
GSM remotely monitoring	Yes

## INTERFACE IN

HDMI 2.1 (HDCP 2.3)	*1
USB 3.0	*1
Micro SD Slot	*1
Audio	*1
RJ-45	*1

## SYSTEM MOTHERBOARD

Operating System	Android 7.1.2 with optional Android 10.0
Processor	Mali-T764 GPU MP4 Quad-Core GPU
Clock Speed	1.5GHZ
RAM	DDR4,2GB
ROM	Internal 16GB Emme Flash Memory
Multimedia	4K video decoder, 30/60fps

## CERTIFICATIONS

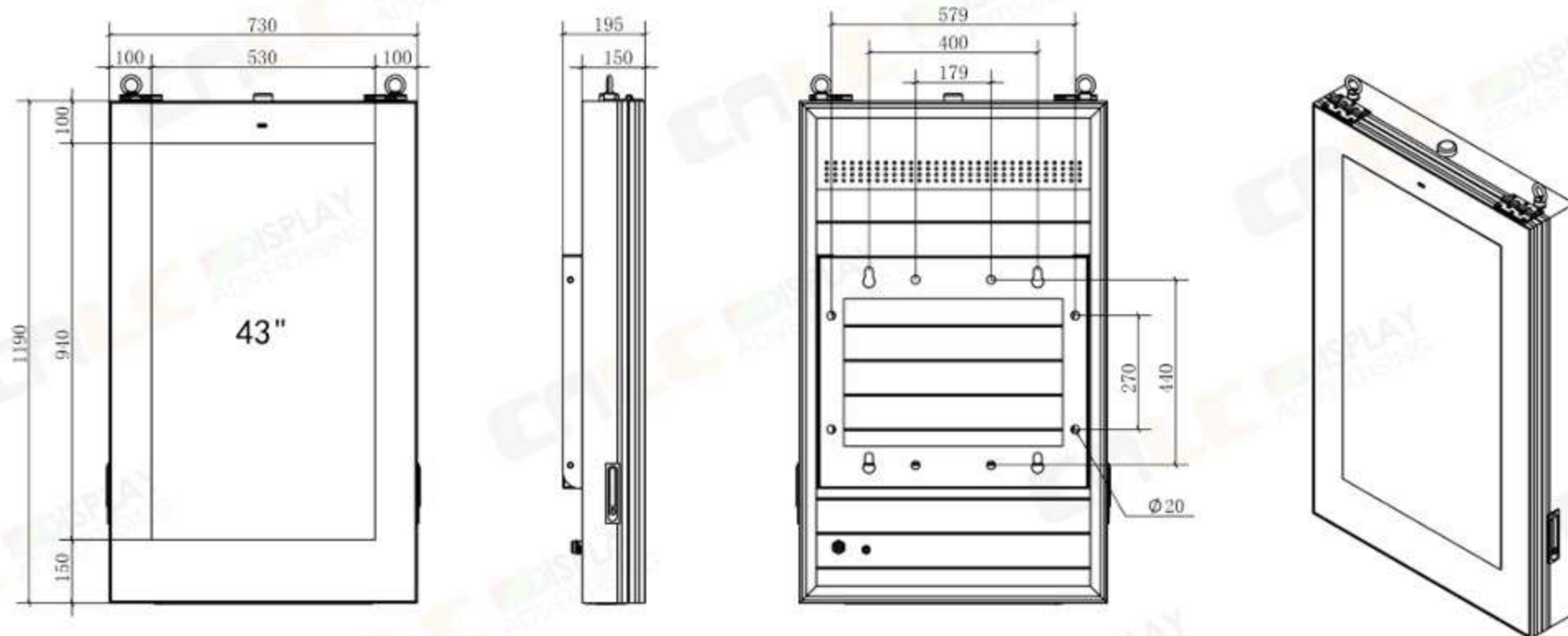
CE / FCC /RoHS	Yes
----------------	-----

## FOR MORE INFORMATION

For more information about CNLC, visit our website at [www.cnlcdisplay.com](http://www.cnlcdisplay.com). Copyright © cnlcdisplay All rights reserved. All specifications and descriptions are subject to change without notice. Reproduction without permission is prohibited.



# Dimensional and structural drawings



## FOR MORE INFORMATION

For more information about CNLC, visit our website at [www.cnlcdisplay.com](http://www.cnlcdisplay.com). Copyright © cnlcdisplay All rights reserved. All specifications and descriptions are subject to change without notice. Reproduction without permission is prohibited.